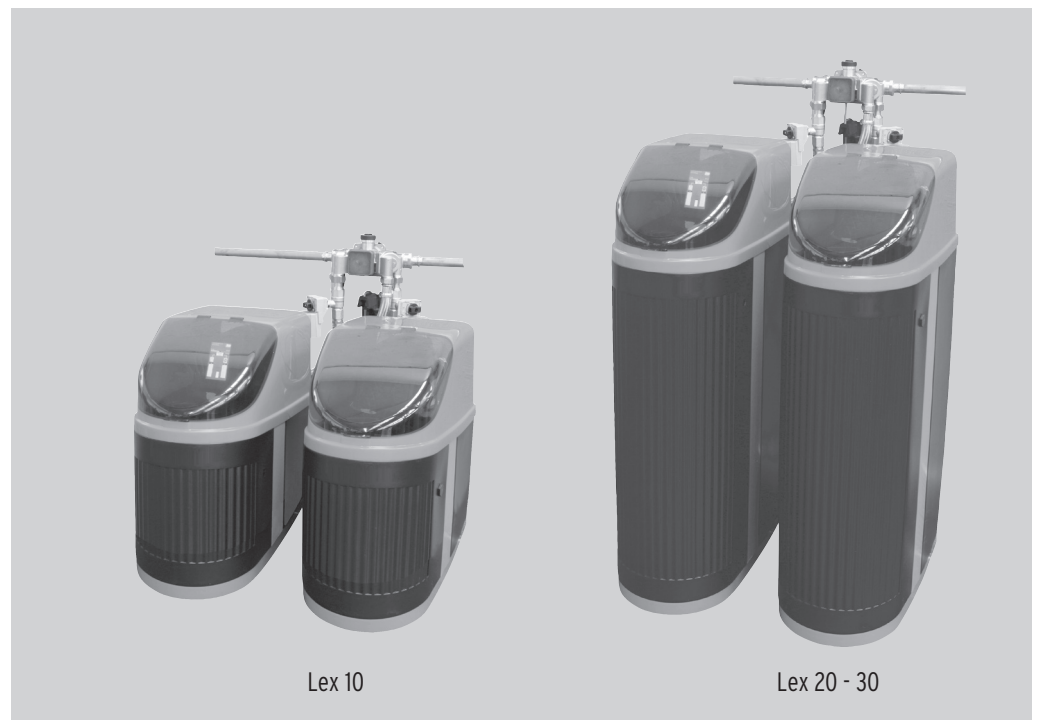


Duplex Water Softener LEX 1500

Ion exchange water softener



Lex 10

Lex 20 - 30

Field of application

SYR's LEX 1500 Duplex Water Softener is designed to protect water pipes and water heaters against lime deposits, which will slow down the water flow and increase the energy consumption. This effective protection preserves appliances and valves from damage, thus preventing cost-intensive repair works. The consumption of laundry detergents and household cleaners is considerably lower with partially softened water than with non-softened

water. DIN 1988, part 200 defines no restrictions on use in the field of application. The water softener's capacity allows for partial softening of the overall amount of water used in single-family houses or apartment houses as well as of partial water quantities used for hot water, swimming pools, washing machines and dishwashers.

Design

The LEX 1500 Duplex Water Softener is a parallel ion exchange system that provides a doubled flow rate. It is equipped with the Limex control that makes

it easy to enter and access all information. The water softener undergoes automatic disinfection at regular intervals to prevent microbial growth.

Materials

The functional parts are made of high-quality synthetic material. The body and the internal plastic parts are made of shock-resistant thermoplast and the rubber parts of ageing-resistant elastomers. All other functional parts are made from a low-lead,

dezincification-resistant brass alloy and stainless steel. The materials used are state-of-the-art. The synthetic and elastomeric parts in contact with water meet all requirements of the German Federal Environment Agency (KTW Directive).

Installation

Use a Max flange DN 32 - DN 50 to install the LEX 1500 Duplex Water Softener. The delivery includes a connection group. Install the water softener close to and downstream of the water metering system. Mount a potable water filter (System Drufi) upstream of the water softener to prevent

malfunctions and offer efficient protection. Install a pressure reducing valve upstream when the pressure is ≥ 5 bar. The water to be softened has to be clear, free from solid impurities and iron- and manganese-free (values as set in the Drinking Water Ordinance).

Thoroughly flush the pipe prior to installation. Mount the required double flange in a horizontal pipe without applying stresses. Make sure that a (floor) drain for the safety overflow and a waste

water connection to drain the flushed water are provided. Do not extend the factory mounted hoses.

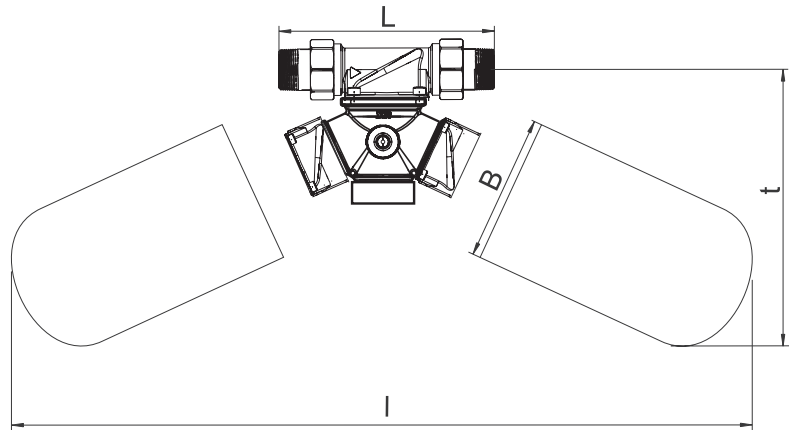
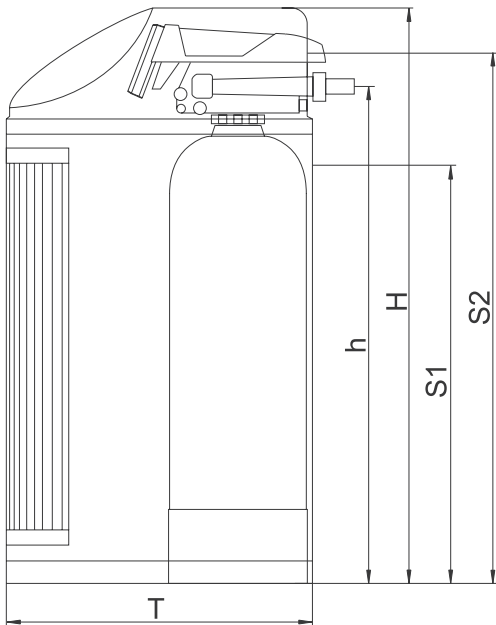
Technical specifications

Service pressure:	min. 2 bar, max. 8 bar
Nominal pressure:	max. 10 bar
Service temperature:	min. 2 °C, max. 30 °C
Mounting position:	main axis in vertical position
Fluid:	potable water
Flow rate LEX 10 / 20 / 30:	4.2 / 5.0 / 5.6 m ³ /h at 1.0 bar Δp
Storage salt tank LEX 10 / 20 / 30:	2 x 25 kg / 2 x 70 kg / 2 x 70 kg
Resin quantity LEX 10 / 20 / 30:	2 x 10 / 2 x 20 / 2 x 30 liters
Capacity exchanger resin LEX 10 / 20 / 30:	40 / 80 / 120 m ³ x °dH
Salt consumption per regeneration LEX 10 / 20 / 30:	about 0.8 kg / 1.6 kg / 2.4 kg
Power consumption / Power supply:	6 W / 12V / 50 Hz
Serial number:	2 x 1500 ...

Maintenance

As the water softener LEX 1500 works automatically, the only thing to do is to refill salt on a regular basis. According to EN 806, part 5, the device has to be serviced at least once a year and

in case of collective installations twice a year. A maintenance contract between the user and a qualified installer provides for safe and durable functionality.



Nominal size	LEX 10			LEX 20 / 30		
Dimensions						
H (mm)	680			1130		
h (mm)	510			970		
t (mm)	min. 300			min. 300		
T (mm)	600			600		
L (mm)	DN 32: 570	DN 40: 570	DN 50: 610	DN 32: 570	DN 40: 570	DN 50: 610
l (mm)	480			480		
B (mm)	350			350		
S1 overflow	390			835		
S2 flushed water	475			930		

Components / Order numbers

<p>① Control head LEX 10 1500.00.903 LEX 20 1500.00.920 LEX 30 1500.00.921</p> <p>② IQ control LEX 10 1500.00.906 LEX 20 1500.00.907 LEX 30 1500.00.908</p> <p>③ Cabinet, with cover LEX 10 1500.00.924 LEX 20/30 1500.00.925</p> <p>④ Bypass valve 1700.00.002</p> <p>⑤ Tundish 0214.00.908</p>		<p>no fig.</p> <p>Salt tank LEX 10 1500.00.913 LEX 20/30 1500.00.901</p> <p>Seal kit 1500.00.904</p> <p>Hoses 1500.00.905</p>	
---	--	--	--

