

Water Softener IT 3000

Ion exchange water softener



Field of application

The SYR Water Softener type IT 3000 protects water pipes and water heaters against lime deposits, which impede the water flow and lead to an excessive energy consumption. By protecting the devices and valves, it prevents expensive repair works. With partially softened water, the consumption

of washing powder and detergents is by far lower than with non softened water. Under consideration of the calculated flow rate capacity, the IT 3000 ensures that partially softened water is available any time at any draw-off point.

Design

The IT 3000 is a system with two alternately running resin containers: the ion exchange resin is located in two separate containers. The ion exchange resin is regenerated in two consecutive cycles. During the regeneration, the two containers soften the water alternately, so that softened water is provided any time. A low quantity of salt is used for the regeneration

process. The softener has to be disinfected on a regular basis in order to prevent microbiological growth. The regeneration is carried out automatically by means of wear-resistant ceramic disks. The regeneration period lasts only 18 minutes for each container. Water can be drawn-off any time due to the alternately operating resin containers.

Materials

The functional parts are made of high-quality synthetic material. The housing and the internal synthetic parts are made of shock-resistant thermoplast and the rubber parts of ageing-resistant elastomers. All remaining functional parts are made of a low-lead, dezincification resistant

gunmetal alloy or stainless steel. All used materials are in accordance with the laws of engineering. All synthetic parts getting into contact with water comply with the recommendations of the German Health Office (KTW).

Installation

Use a flange DN 20 - DN 32 from the extensive Drufi flange programme to install the IT 3000. Install the softening system behind the water meter. To efficiently prevent malfunctions, protect the softener by installing a potable water filter upstream (Drufi System).
The optimal service pressure for the IT 3000

lies between 3 and 5 bar, which allows the most efficient operation of the device. We recommend to install a pressure reducing valve in case of higher pressures. The water to be softened has to be clear, free of solid impurities as well as iron and manganese-free.

Thoroughly flush the pipe prior to installation. Mount the required Drufi connecting flanges in horizontal or vertical pipes without applying stresses. All electric connections are pre-installed in factory.

A drain (floor) is required for the safety overflow. A waste water drain connection is also required for the flush water. Do not extend the premounted hoses!

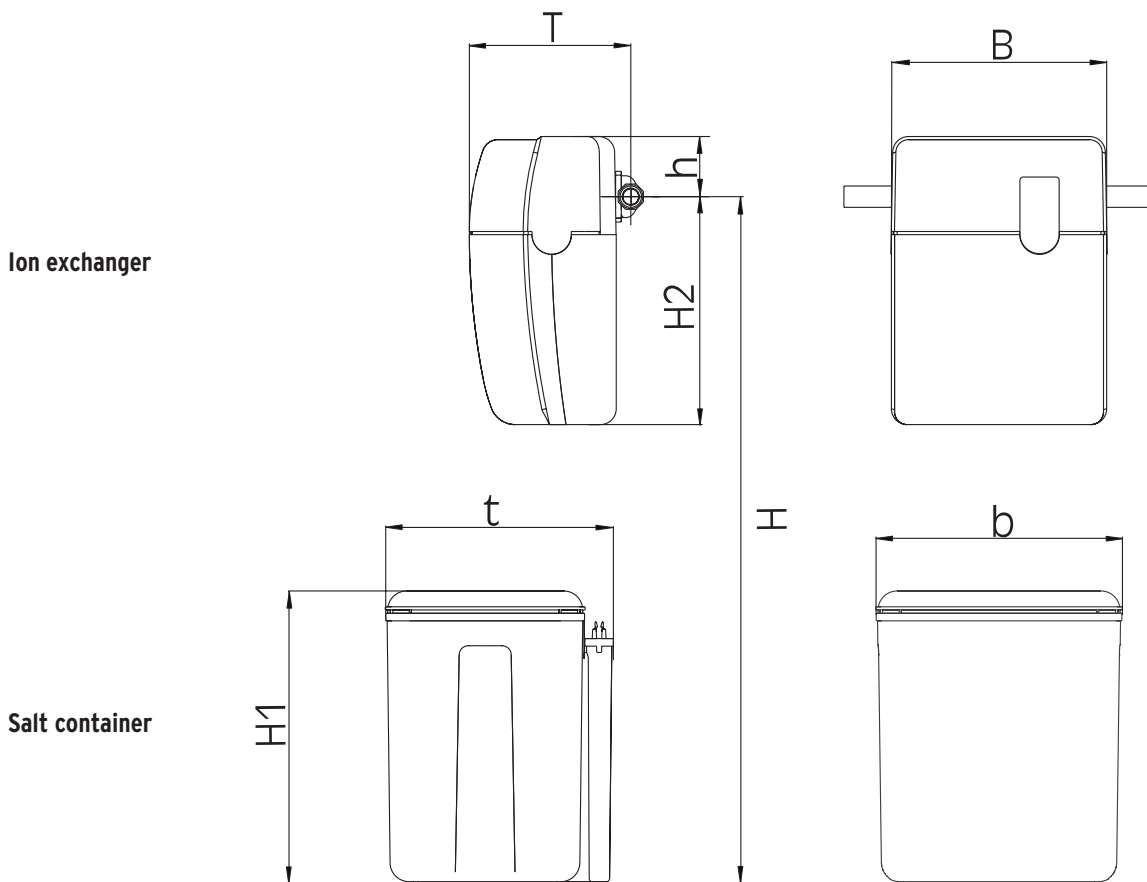
Technical specifications

Service pressure:	min. 3 bar, max. 7 bar
Service temperature:	max 30 °C
Mounting position:	main axis, vertical
Medium:	potable water
Flow rate:	1,7 m ³ /h
Pressure loss at nominal flow rate:	0,45 bar
Dynamic pressure downstream of the system:	min. 2 bar
Power supply:	230 V / 50 Hz / 15 W
Power consumption:	15 W
Nominal capacity:	0.9 mol
Capacity per kg of salt	5 mol
Salt stock:	40 kg
DVGW-N°:	NW-9151BQ0032
Serial number:	3000.00.000

Maintenance

As the water softener works automatically, maintenance only consists of refilling salt on a regular basis, at the latest when the indicator „Salt re-filling required“ becomes visible in the salt container.

Maintenance works should be carried out at least every year and for joint systems every 6 months. A maintenance contract between user and installer provides durable and safe functionality.



Connection flange not included in delivery

Length of hose for the connection to the salt container: 1.3m

Nominal size	DN 25	
Dimensions	T (mm)	255
	t (mm)	390
	B (mm)	340
	b (mm)	390
	H (mm)	1100
	h (mm)	95
	H1 (mm)	465
	H2 (mm)	360

Accessory: Y-distribution flange: 2315.00.071
 Double connection flange: 2315.00.070

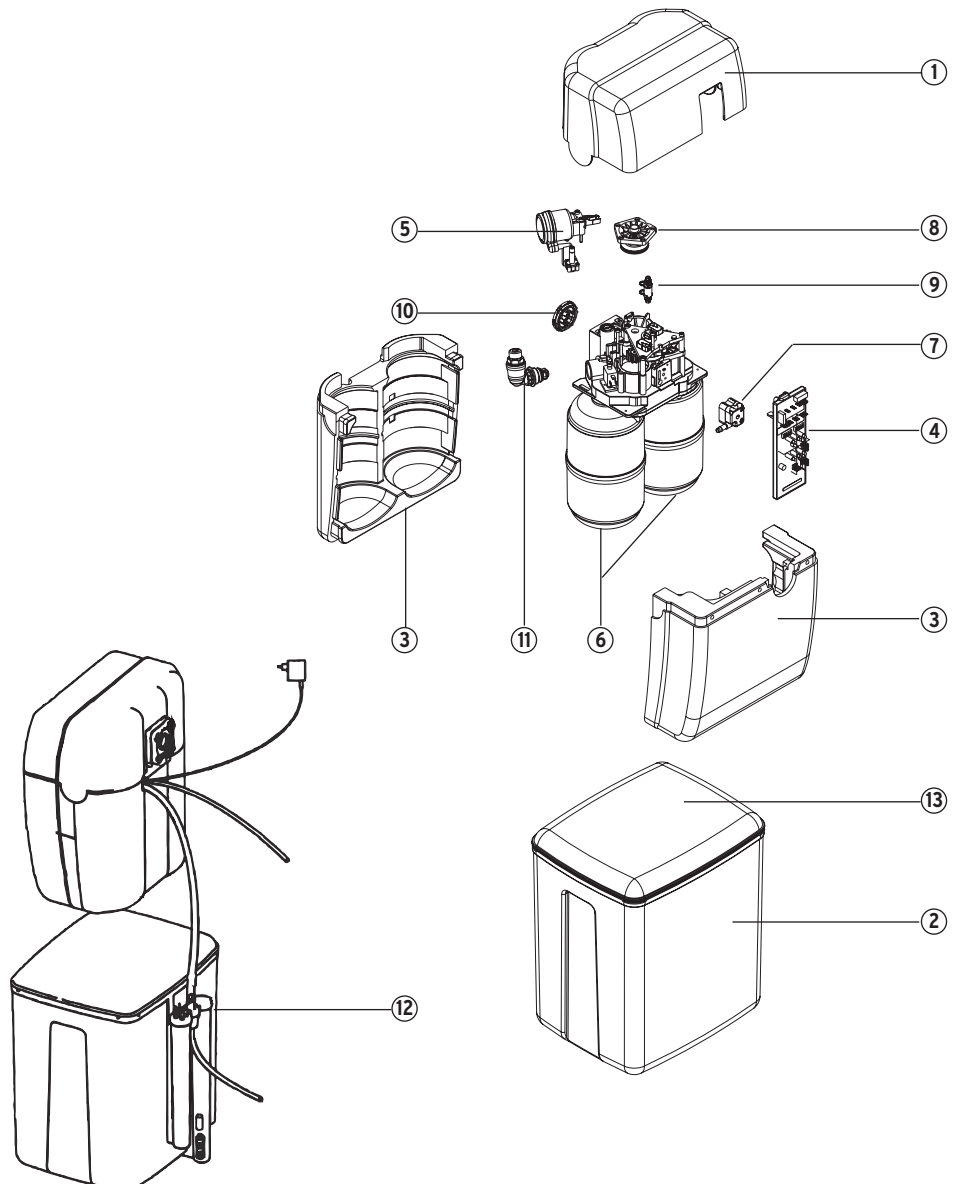
Components / Order numbers

- ①
Cover
3000.00.900
- ②
Salt container
3000.00.901
- ③
Insulation
3000.00.902
- ④
Control board
3000.00.903
- ⑤
Mechanism
3000.00.904
- ⑥
Resin tanks
3000.00.905
- ⑦
Injector
3000.00.906
- ⑧
Regeneration cartridge
3000.00.907
- ⑨
Suction indicator
3000.00.908
- ⑩
Bypass Valve
3000.00.909
- ⑪
Pressure reducer cartridge
3000.00.917
- ⑫
Suction strainer
3000.00.912
- ⑬
Cover Salt container
3000.00.914

- Optional**
Salt for regeneration (25 kg)
3000.00.911

- Optional**
Indicator Kit for water hardness
3000.00.913

- Optional**
Bypass-Valve for maintenance
3000.00.916



Optional
Power adapter 24C AC from 08/12
3000.00.927

Optional
Y-Distribution flange
2315.00.071

Double connecting flange
2315.32.030 (DN 32)
2315.40.030 (DN 40)
2315.50.030 (DN 50)