

Ratio FR HOT 5315

Manual Backwash Filter

2



Field of application

The Ratio FR HOT is a compact filter of the SYR filter programme. It is designed as filtering valve for potable water installations. Its very compact

construction form also allows to protect single appliances (dish washers, water heaters, etc..).

Design

The manual backwash filter Ratio FR HOT is available in the connection sizes DN 15 - DN 25. The

cascade-shaped filter insert is made of stainless steel.

Materials

The filter cap is made of shock-resistant synthetic material and the filter insert of stainless steel. The ring seals are made of asbestos-free fibre. All materials used are state-of-the-art. The synthetic and

elastomeric parts getting into contact with water designed for human consumption are approved by the German Public Health Office (KTW).

Installation

It is highly recommended to install filters to protect potable water installations against corrosion. When used at the domestic point of entry, the Ratio FR

HOT filter should be installed directly behind the water metering device and be readily accessible.

Thoroughly flush the pipe prior to installation. Use filtered water from the first onset of the potable water installation. The main axis of the filter has

to be in vertical position. Install the filter under consideration of the direction of flow (arrow on the body) in the pipework without applying stresses.

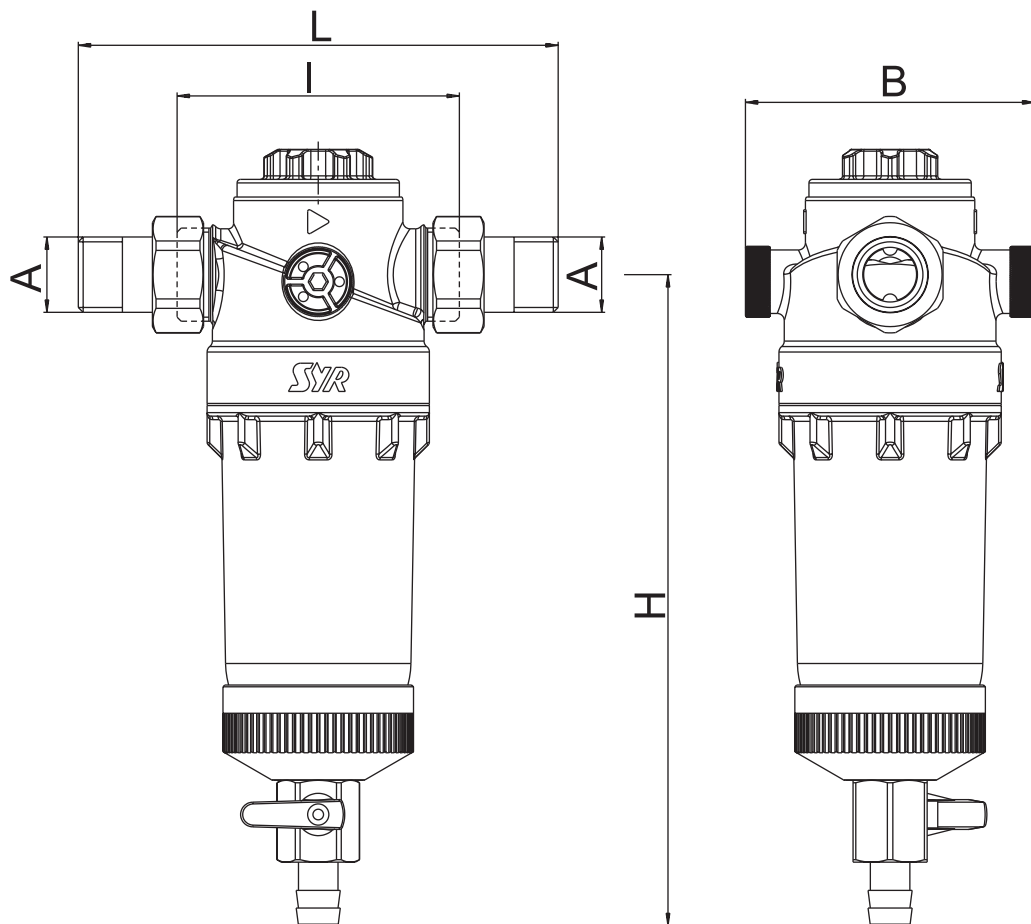
Technical specifications

Operating pressure:	min. 2 bar, max. 16 bar
Operating temperature:	max. 80 °C
Mounting position:	Main axis vertical
Fluid:	potable water
Mesh width:	90 µm
Flow rate:	DN 15: 2,0 m ³ /h at 0,2 bar Δp DN 20: 2,3 m ³ /h at 0,2 bar Δp DN 25: 3,0 m ³ /h at 0,2 bar Δp DN 15: 3,4 m ³ /h at 0,5 bar Δp DN 20: 4,4 m ³ /h at 0,5 bar Δp DN 25: 5,2 m ³ /h at 0,5 bar Δp
Serial number:	5315 ...

Maintenance

The filter should be backwashed every two months at the latest. Servicing the Ratio FR only requires a service-key. To backwash the filter, open the ball valve and turn the lower part of the filter 2

to 3 times to the left or to right. Close the ball valve again. Even during backwashing, the device continues to supply filtered water into the potable water system.



Nominal size		DN 15	DN 20	DN 25
	A	R 1/2"	R 3/4"	R 1"
Dimensions in mm	H (mm)	184,5	184,5	184,5
	L (mm)	136	152	170
	l (mm)	80	90	100
	B (mm)	82	82	82

Components / Order numbers

①

Plug
5315.00.901

②

Gauge-Plug
0828.08.000

③

Filter
5315.00.903

④

Filter cap complete
5315.00.906

⑤

Service key
5315.00.902

